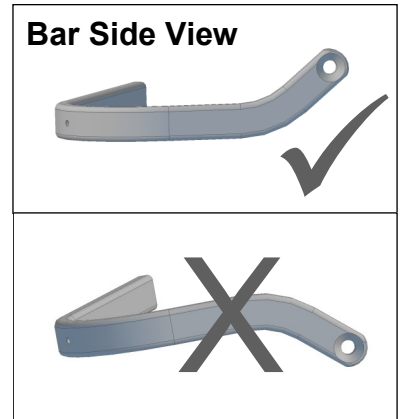
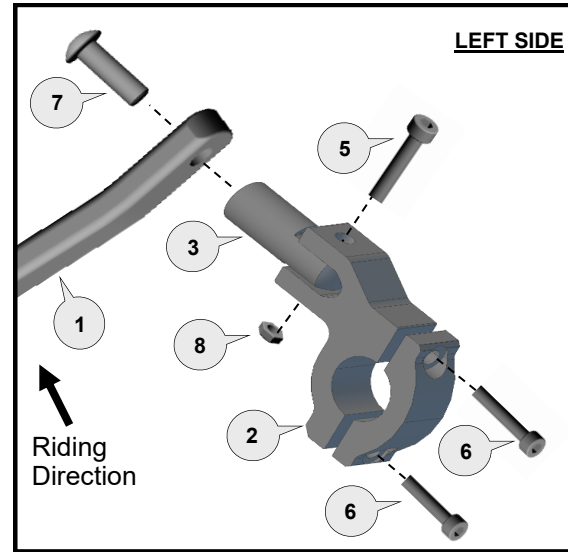
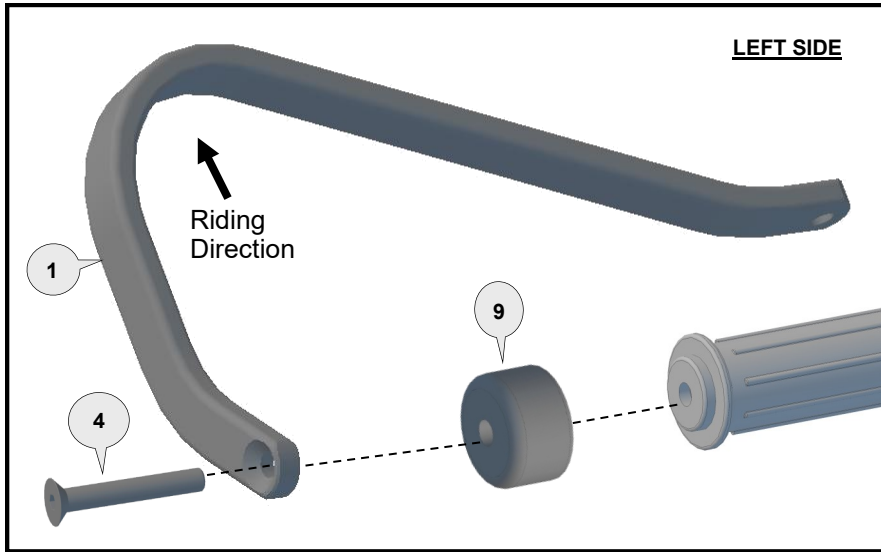




www.barkbusters.net

FITTING INSTRUCTIONS
for...

- HUSQVARNA TR650 TERRA ('13 on)



Preparation

Remove original handlebar end weights and handguards if installed.

Installation is shown for the left side. Repeat for right side with applicable parts.

Loosely assemble the clamp (2) to the handlebar with clamp connector (3).

Attach the handguard backbone with applicable parts to the handlebar end and also to the clamp connector.

Position backbone so it is horizontal when viewed from the side and tighten all bolts in the following order: (4), (7), (6) then (5).

Important: Use the specified torque setting over page.

Personalise Your Protection
Guard options sold separately

JET	JET-003
VPS	VPS-003
Storm	STM-003
CARBON	BCF-003




Phone: +61 (0)2 4271 8244
Email: info@barkbusters.net

1 Aluminium Bar




PN: BAR-V-040
Pcs. 1 Left & 1 Right

2 Multi Fit Clamp 22mm



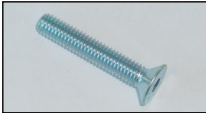
PN: MFC-22
Pcs. 2

3 Clamp Connector 45mm



PN: CP1
Pcs. 2

4 Flat Head Bolt 35mm



PN: M6x35FHCSZP
Pcs. 2

5 Socket Head Bolt 30mm



PN: M6x30SHCSZP
Pcs. 2

6 Socket Head Bolt 20mm



PN: M6x20SHCSZP
Pcs. 4

7 Button Head Bolt 25mm



PN: M8x25BHCSZP
Pcs. 2

8 Taper Nut



PN: M6LN
Pcs. 2

9 Bar End Weight



PN: BEW35
Pcs. 2

Recommended Torque Settings	
M6	10 Nm (7.4 lbf ft)
M8	20 Nm (14.8 lbf ft)

CAUTION:

Installation of the handguard is safety-relevant work and can be complicated. We recommend the installation be performed by a motorcycle service technician. Rideworx accepts no liability for damages caused by improper mounting. All screws, bolts and nuts, including all replacement hardware provided by Rideworx, should be tightened to the torque specified in the below table. After the first 50km of riding check all screws, bolts and nuts are tightened to the correct torque. We recommend a medium strength liquid thread lock product on all fasteners.

WARNING:

It is important there is a working clearance (approx 3mm) between the throttle grip end and the handguard to ensure a free closing throttle. Check operation of all handlebar controls, specifically the throttle, front brake, kill switch and clutch to ensure they are operating correctly and are in accordance with the OEM specifications. Do not ride the motorcycle if any controls are not operating correctly. Check periodically that all bolts are tight.



Phone: +61 (0)2 4271 8244
Email: info@barkbusters.net
Web: www.barkbusters.net



Disclaimer:

A failure to follow these fitting instructions could cause serious injury, death or property damage. These handguards are intended solely for use with motorcycles/ATV/snowmobiles/scooters that have not been modified. They are not designed to prevent injury or death while riding or in an accident or crash. The user must ensure that all controls are free of the handguards every time that they ride. By installing and/or using this product you acknowledge that you accept these terms and have followed the fitting instructions.